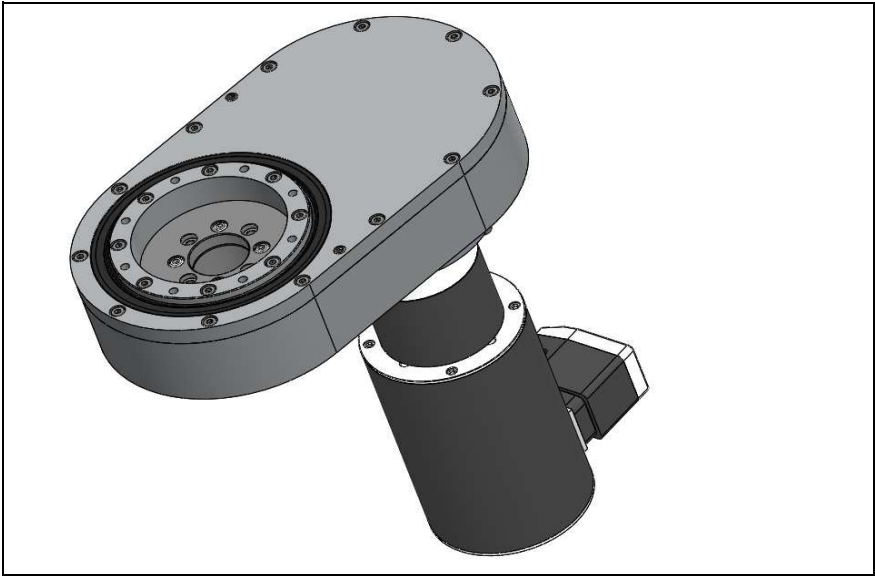


Timingbelt drive

ZRT 0104-00018-00



Transmittable torque	M _{ü max}	64	Nm
Power	P _{nenn}	0,097	kW
Operationfactor	K _A	1,52	
Ratio	i	186	
Output speed	n _{ab}	14,5	rpm
Belt speed	v	0,12	m/s
Number of teeth drive pully	Z ₁	22	-
Number of teeth driven pully	Z ₂	44	-
Center distance	e ₁	104,0	mm
Belt length	L _{d1}	480,0	mm
Static axial bearing capacity	C _{0 ax}	27	kN
Static radial bearing capacity	C _{0 rad}	5	kN
Dynamic axial bearing capacity	C _{ax}	7	kN
Dynamic radial bearing capacity	C _{rad}	1,5	kN
Weight	M	9	kg

For information only

Performance chart M_ü = const.

