

ZRT 0280-00145-00

Transmittable torque
Power
Operationfactor

Ratio
Output speed
Belt speed
Number of teeth drive pully
Number of teeth driven pully

Center distance
Belt length

Static axial bearing capacity
Static radial bearing capacity
Dynamic axial bearing capacity
Dynamic radial bearing capacity

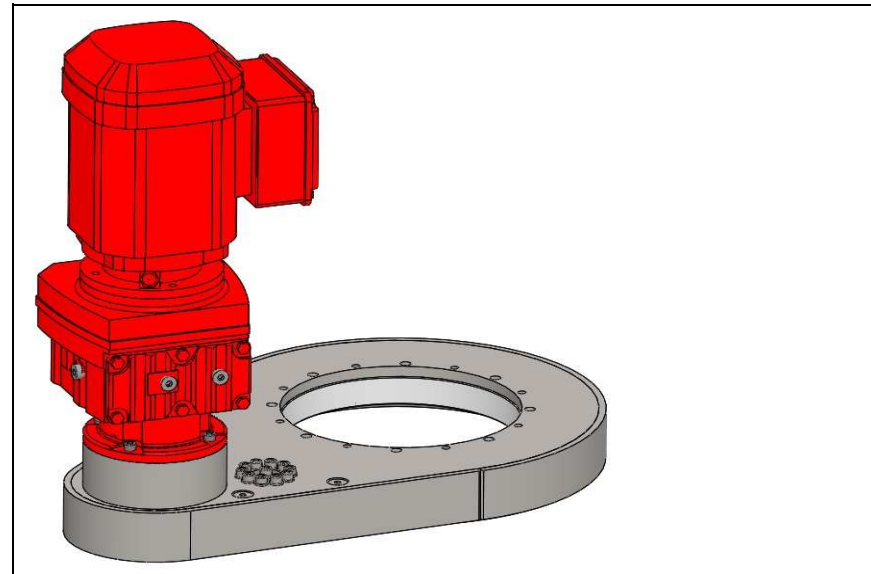
M _{ü max}	300	Nm
P _{nenn}	0,50	kW
K _A	1,85	

i	91,22	
n _{ab}	15	rpm
v	0,27	m/s
Z ₁	40	-
Z ₂	127	-

e ₁	280,0	mm
L _{d1}	1360,0	mm

C _{0 ax}	138	kN
C _{0 rad}	65	kN
C _{ax}	26	kN
C _{rad}	23	kN

M	50	kg
---	----	----



Performance chart

