

ZRT 0345-00146-00

Performance

Transmittable torque	M _{ü max}	687	Nm
Power	P _{nenn}	0,75	kW
Operationfactor	K _A	2,15	

Ratio	i	137,90	
Output speed	n _{ab}	10	rpm
Belt speed	v	0,27	m/s
Number of teeth drive pully	Z ₁	40	-
Number of teeth driven pully	Z ₂	192	-

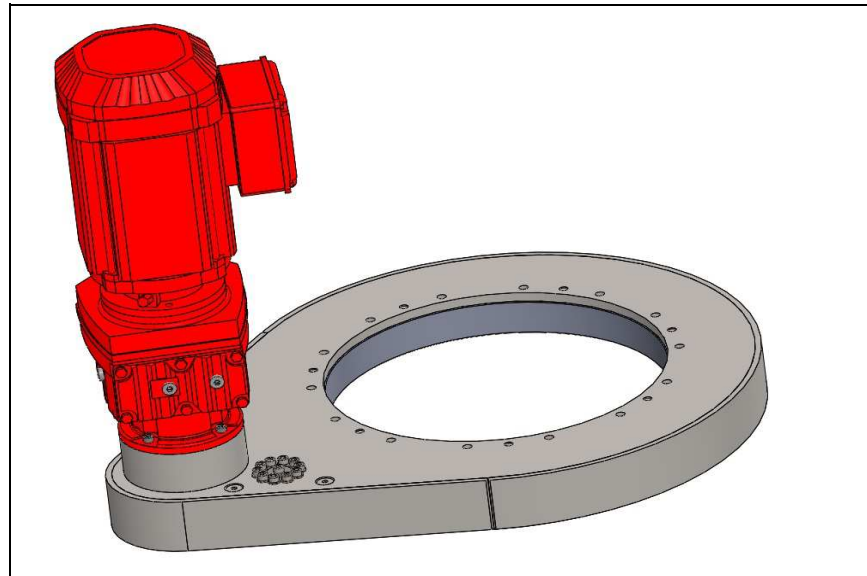
Center distance	e ₁	345,0	mm
Belt length	L _{d1}	1800,0	mm

Static axial bearing capacity	C _{0 ax}	138	kN
Static radial bearing capacity	C _{0 rad}	65	kN
Dynamic axial bearing capacity	C _{ax}	26	kN
Dynamic radial bearing capacity	C _{rad}	23	kN

Weight	M	75	kg
--------	---	----	----

For information only

Timingbelt drive



Performance chart

